



INSTALLATION MANUAL

BASKET GUTTER

PANEL SERIES

THE POWER OF ROOFS



**BASKET GUTTER
PANEL SERIES**

Specially modified basket gutter dedicated to PANEL SERIES products, due to the widened water protection strip, which serves as a hook for panel sheets.

The assembly of the basket gutter begins with adjusting it to the corner. When marking and cutting the shape, a 30 mm overlap should be provided for the bend to the starting strip (**fig. 2**).

Fasten the gutter to the starting strip by means of the fold and assemble it to the structure from the eaves to the ridge using the installation clips, remembering to adjust the appropriate overlap in relation to the angle of the roof inclination (**fig. 3**).

FIG.1

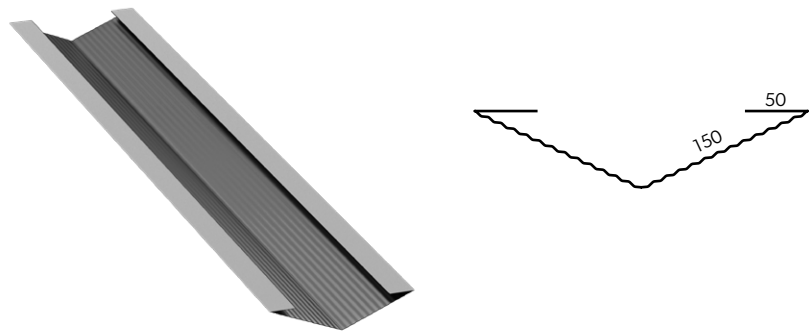


FIG.2

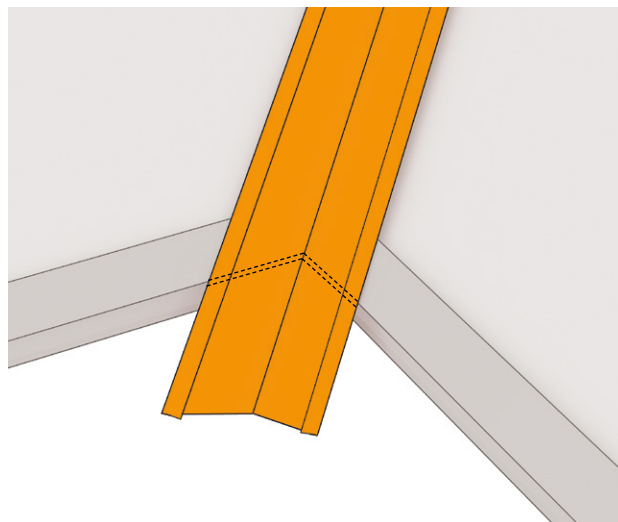
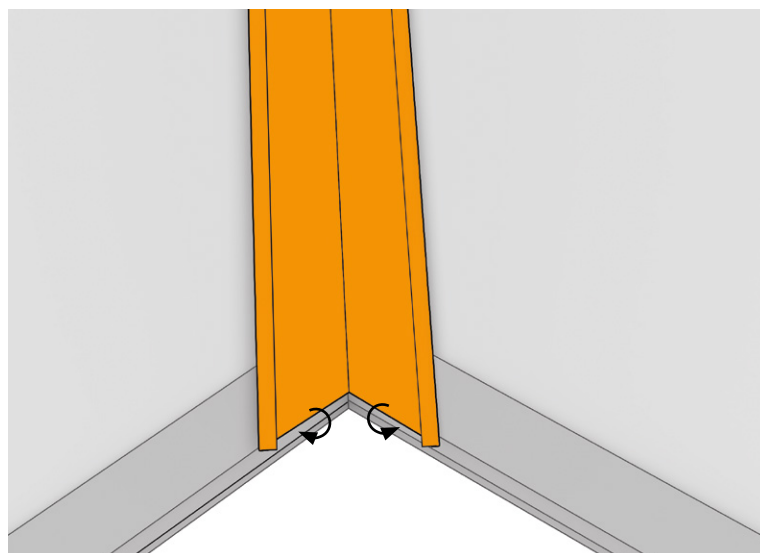


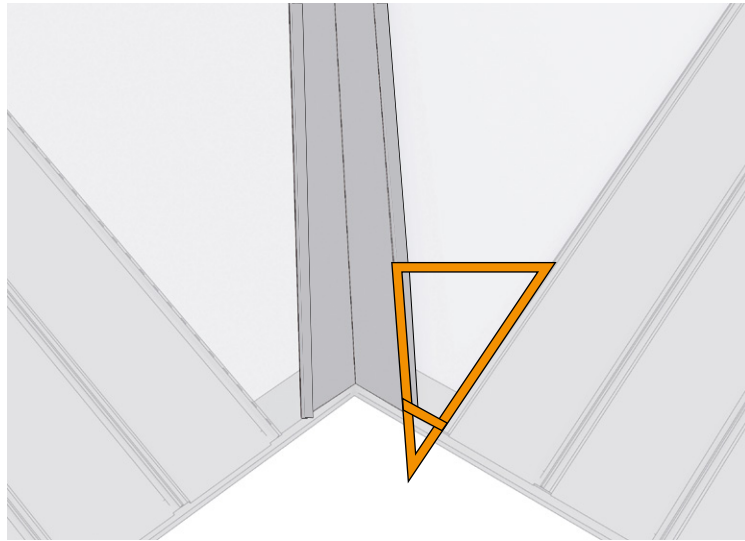
FIG.3



**THIS MANUAL IS ILLUSTRATIVE AND
DOES NOT RELEASE CONTRACTORS
FROM THE OBLIGATION TO FOLLOW
THE RULES OF THE ROOFING
PRACTICE.**

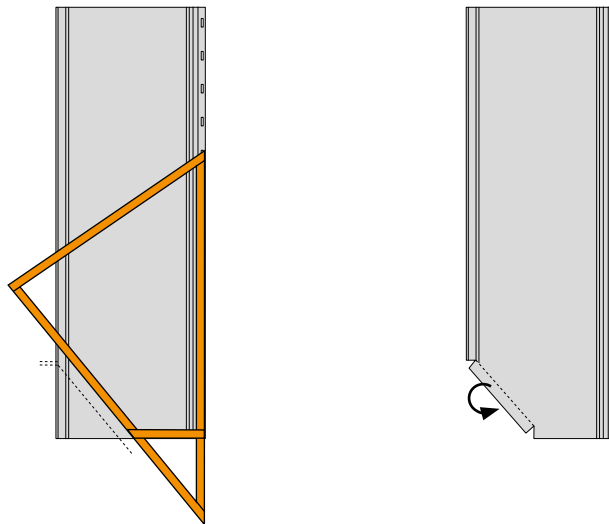
Before cutting and installing the panels adjacent to the basket gutter, the angle should be measured by making a pattern from the slats (**fig.4**).

FIG.4



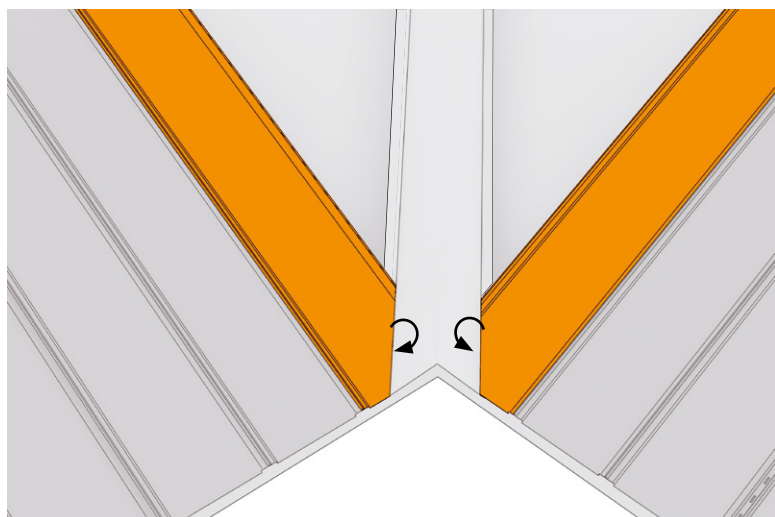
Then, using the template, cut the panel, leaving a 30 mm overlap for the fold to the basket gutter (**fig. 5**).

FIG.5



Then, hook the panel to the edge of the basket gutter (**fig.6**).

FIG.6





Modular roofing tiles
MODULAR SERIES



Compact roofing tiles
COMPACT SERIES



Steel roofing tiles
CLASSIC SERIES



Retro roof tiles
RETRO SERIES



Roof panels
PANEL SERIES



INTEGRATED
PV PANELS



Steel roof gutter system
INGURI



TRAPEZOIDAL
SHEETS



FLAT METAL
SHEETS



FLASHINGS



ACCESORIES



Roof Sandwich
PANELS



Wall Sandwich
PANELS



Facade cladding
SKRIN, LINEA, SINUS



Wall cassette &
PROSYSTEM



Uncoiling and slitting
SERVICES



Flat sheets and cutting
SERVICES



PERFORATION
of sheets

